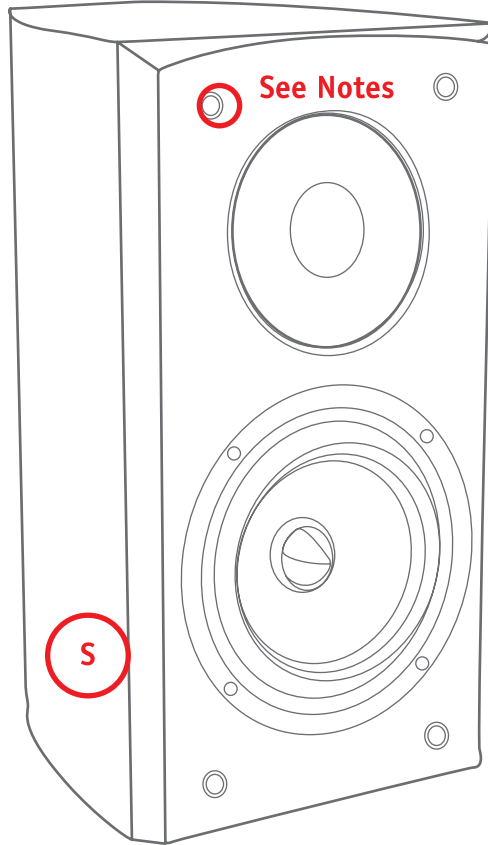
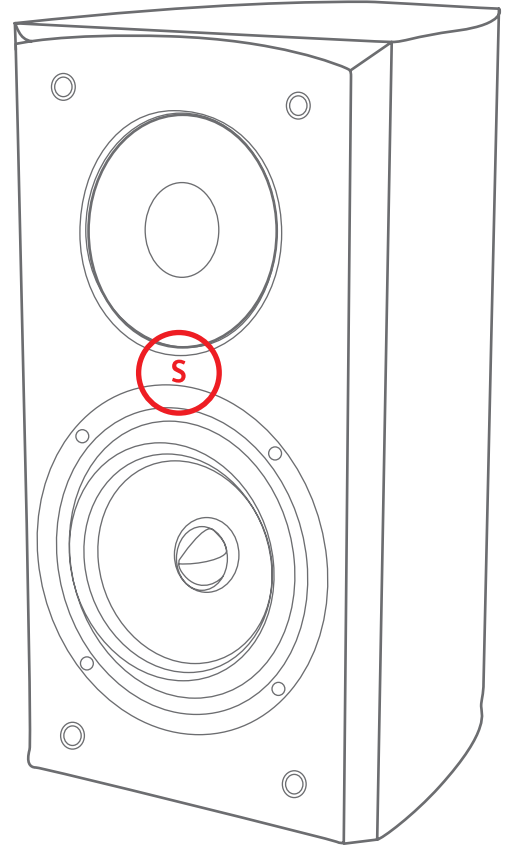


BACK



LEFT SIDE



FRONT

RIGHT SIDE

### SPEAKER "B STOCK" DAMAGE REPORT

MODEL: **E5Bi** Color:  Red Burl  Black

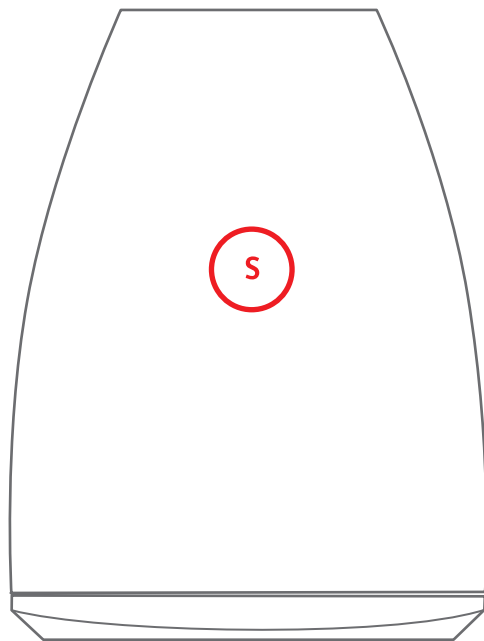
S/N: **IT-042909-00186**

ADDITIONAL NOTES:

**Chip in finish by  
the t-lock**

INSPECTED BY: **RH**

CODES	S = Scratches or surface flaws/hazy finish.
	F = Finger prints or flaws under clear coat.
	D = Dents or impressions in cabinet.
	G = Gaps or fit/alignment issues.
	C = Cosmetic driver issues



TOP