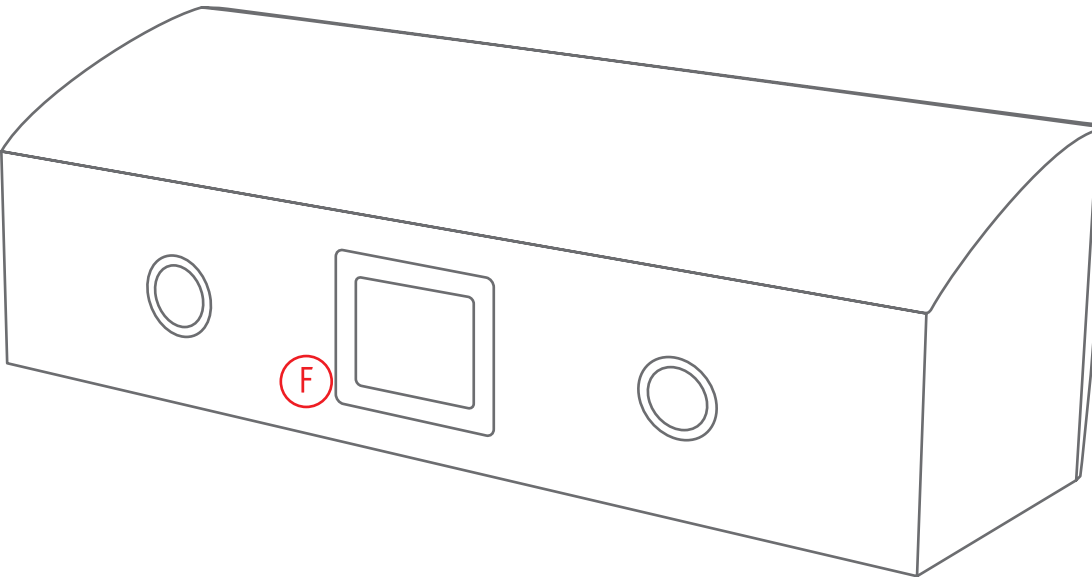
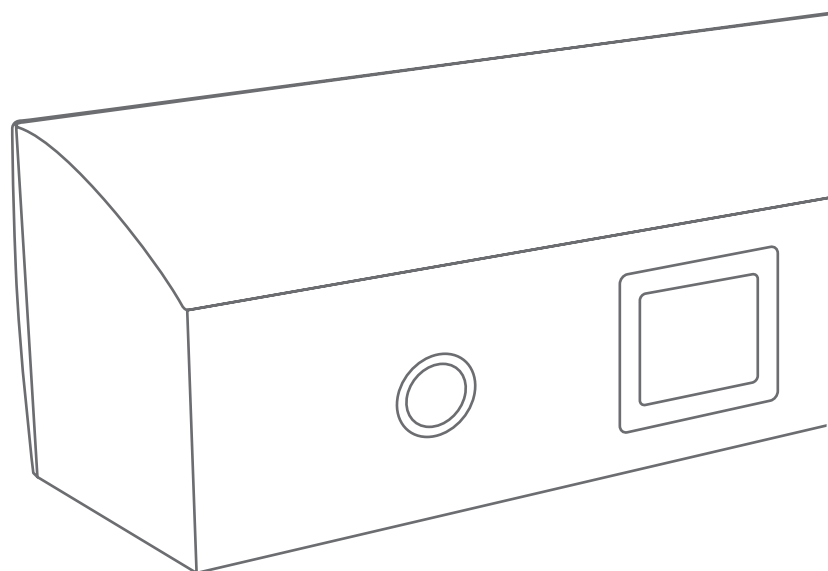


FRONT



RIGHT SIDE

BACK AND TOP



LEFT SIDE

### SPEAKER "B STOCK" DAMAGE REPORT

MODEL: **E5Ci**      Color:  Red Burl     Black

S/N: **IT-042909-00156**

ADDITIONAL NOTES:

---



---



---



---



---



---

INSPECTED BY: *AM*

CODES	<p>S = Scratches or surface flaws/hazy finish.</p> <p>F = Finger prints or flaws under clear coat.</p> <p>D = Dents or impressions in cabinet.</p> <p>G = Gaps or fit/alignment issues.</p> <p>C = Cosmetic driver issues</p>
-------	---