

LIMITED EDITION STATE-OF-THE-ART SYSTEM  
RECOMMENDED BY R. B. HASSING

# BERYLLIUM CONE SPEAKERS AND INTEGRATED TUBE HYBRID AMPLIFIER



The 41-SE/B is the perfect speaker for delivering wide-range performance with outstanding detail and accuracy. The 4-inch beryllium cone woofer provides excellent bass and mid-range resolution, while the 1-inch silk dome tweeter effortlessly reproduces crystal clear high frequencies. These speakers have been paired with our integrated tube hybrid amplifier for an excellent small executive stereo system. The low distortion characteristics of the beryllium cone speaker combined with the absence of odd order harmonic distortion in the tube amplifier produce a sweet, pure and extremely accurate sound.

**Engineered Music Products**

Layton, UT • USA • 801.991.1308 • [www.emptek.com](http://www.emptek.com)

**EMP**  
Tek

# TUBE AMPLIFIER



FRONT VIEW



BACK VIEW

## MODEL NAME

VT-40.2

## AMPLIFIER TYPE

Integrated Tube Hybrid

## AC INPUT

110V±10%/60Hz

## POWER OUTPUT

40 Watts Per Channel @ 8 Ohms  
60 Watts Per Channel @ 4 Ohms

## FREQUENCY RESPONSE

20Hz — 20kHz

## DISTORTION (THD)

< 2%

## S/N RATIO

> 80dB

## PASS BAND

10Hz — 100kHz

## SIGNAL INPUT (ANALOG)

- AUX (1/8-inch jack)
- iPod/MP3 (1/8-inch jack)
- R/L (CD/DVD) (RCA jacks)

## LINE LEVEL INPUT SENSITIVITY

450mV

## DIMENSIONS

6-5/8" W x 4-1/2" H x 10-1/4" D  
(168mm W x 114mm H x 260mm D)

## WEIGHT

8 Lbs. (3.63 Kg)

## WARRANTY

1 Year

# E41-B BOOKSHELF SPEAKER

## MODEL NAME

E41-B

## SYSTEM TYPE

Bookshelf Speaker

## FREQUENCY RESPONSE

70Hz — 30kHz ± 3dB

## SENSITIVITY

86dB (2.83 Volts @ 1 Meter)

## RECOMMENDED POWER

50-100 Watts

## DRIVE UNITS

- (1) 4" (102mm) Beryllium Cone Woofer
- (1) 1" (25mm) Silk Dome Tweeter

## TWEETER PROTECTION

Yes

## CROSSOVER FREQUENCY

3,000 Hz

## CROSSOVER

12dB/Octave

## IMPEDANCE

8 Ohms

## CABINET

High-gloss Black Ash

## GRILLE

Black Cloth

## DIMENSIONS

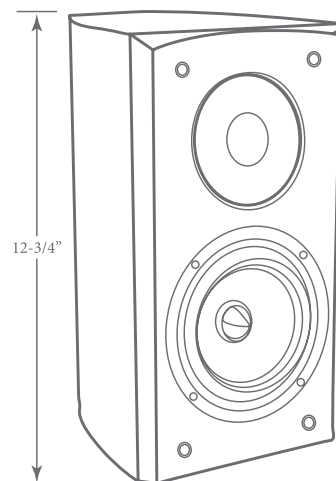
6-7/8" W x 12-3/4" H x 8" D  
(175mm W x 324mm H x 203mm D)

## WEIGHT

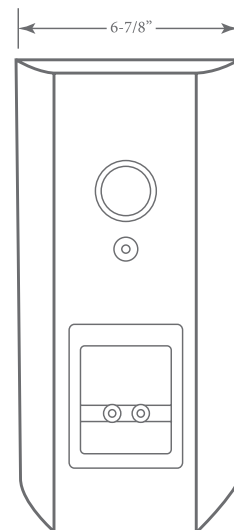
Weight 7.5 lbs. (3.40 kg.)

## WARRANTY

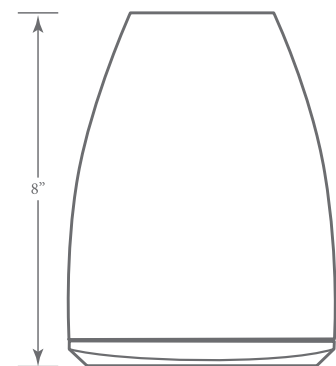
5 Years



FRONT VIEW



BACK VIEW



TOPVIEW



Engineered Music Products

801.991.1308 • [www.emptek.com](http://www.emptek.com)

All specifications are subject to change without notice.  
Copyright © 2009 EMP Tek. All Rights Reserved.