

LIMITED EDITION STATE-OF-THE-ART SYSTEM
RECOMMENDED BY R. B. HASSING

BERYLLIUM CONE SPEAKERS AND INTEGRATED TUBE HYBRID AMPLIFIER



The 41-SE/B is the perfect speaker for delivering wide-range performance with outstanding detail and accuracy. The 4-inch beryllium cone woofer provides excellent bass and mid-range resolution, while the 1-inch silk dome tweeter effortlessly reproduces crystal clear high frequencies. These speakers have been paired with our integrated tube hybrid amplifier for an excellent small executive stereo system. The low distortion characteristics of the beryllium cone speaker combined with the absence of odd order harmonic distortion in the tube amplifier produce a sweet, pure and extremely accurate sound.

Engineered Music Products

Layton, UT • USA • 801.991.1308 • www.emptek.com

EMP
Tek

TUBE AMPLIFIER



FRONT VIEW



BACK VIEW

MODEL NAME

VT-40.2

AMPLIFIER TYPE

Integrated Tube Hybrid

AC INPUT

110V±10%/60Hz

POWER OUTPUT

40 Watts Per Channel @ 8 Ohms
60 Watts Per Channel @ 4 Ohms

FREQUENCY RESPONSE

20Hz — 20kHz

DISTORTION (THD)

< 2%

S/N RATIO

> 80dB

PASS BAND

10Hz — 100kHz

SIGNAL INPUT (ANALOG)

- AUX (1/8-inch jack)
- iPod/MP3 (1/8-inch jack)
- R/L (CD/DVD) (RCA jacks)

LINE LEVEL INPUT SENSITIVITY

450mV

DIMENSIONS

6-5/8" W x 4-1/2" H x 10-1/4" D
(168mm W x 114mm H x 260mm D)

WEIGHT

8 Lbs. (3.63 Kg)

WARRANTY

1 Year

41-SE/B BOOKSHELF SPEAKER

MODEL NAME

41-SE/B

SYSTEM TYPE

Bookshelf Speaker

FREQUENCY RESPONSE

60Hz — 30kHz ± 3dB

SENSITIVITY

86dB (2.83 Volts @ 1 Meter)

RECOMMENDED POWER

30-100 Watts

DRIVE UNITS

- (1) 4" (102mm) Beryllium Cone Woofer
- (1) 1" (25mm) Silk Dome Tweeter

TWEETER PROTECTION

Yes

CROSSOVER FREQUENCY

3,000 Hz

CROSSOVER

12dB/Octave

IMPEDANCE

8 Ohms

CABINET

Black Oak Woodgrain with Gloss Black Tops and Bottoms

GRILLE

Black Cloth

DIMENSIONS

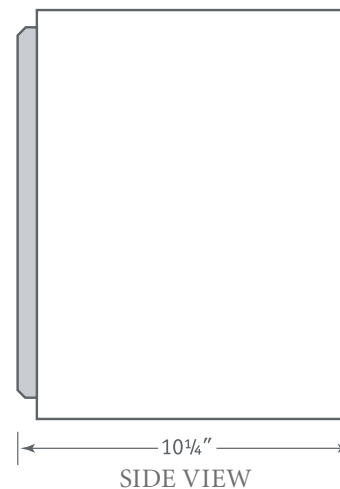
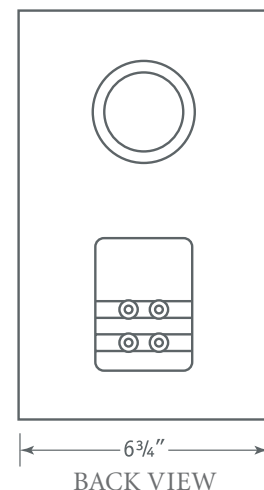
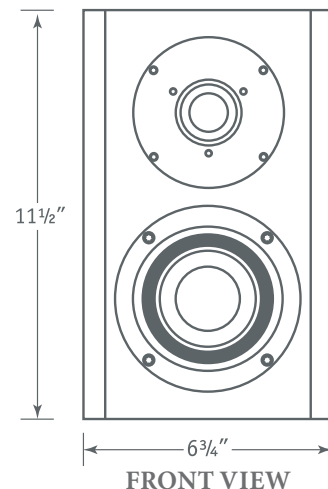
6-3/4" W x 11-1/2" H x 10-1/4" D
(171mm W x 292mm H x 260mm D)

WEIGHT

12 Lbs. (5.44 Kg)

WARRANTY

5 Years



Engineered Music Products

801.991.1308 • www.emptek.com

All specifications are subject to change without notice.
Copyright © 2009 EMP Tek. All Rights Reserved.